

Lanza Firex Mod. ZZ  
 Firex Nozzle

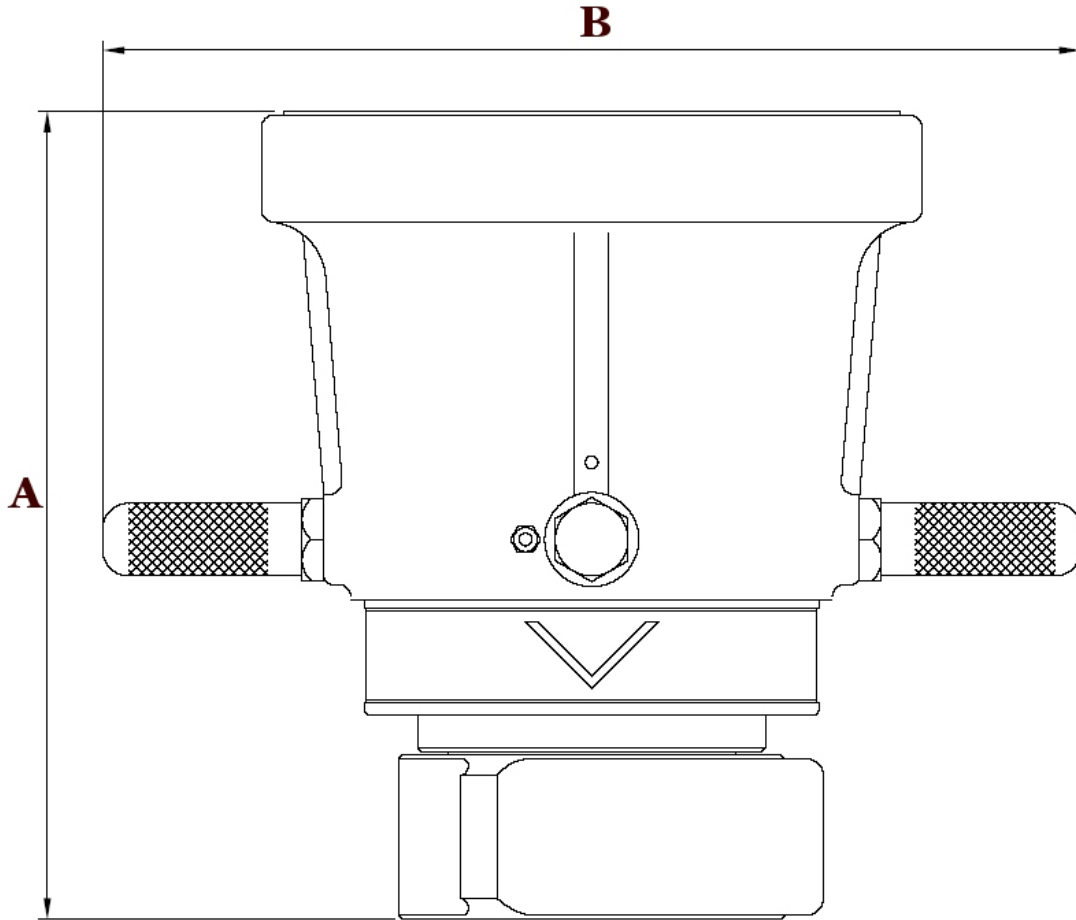


Fig.1

- Bronce
- Varios Caudales
- Conexión 2 ½"

- Brass
- Different Flow Rate
- 2 ½" Inlet

MODELO/ MODEL	FIG. FIG.	A mm	B mm	Ø D GAS BSP	CAUDAL/ FLOW RATE (* l/min.-7 bar	MATERIAL MATERIAL	PESO/ WEIGHT Kg
ZZ-5	1	189	228	2½"	1.140 – 1900 – 2.660	Bronce / brass	
ZZ-8	1	222	232	2½"	1.900 – 2.900 – 3.800 – 4.800	Bronce / brass	